

1000 Base-T Transformer Modules

Designed to Support 1:1 Turns Ratio Transceivers

Features :

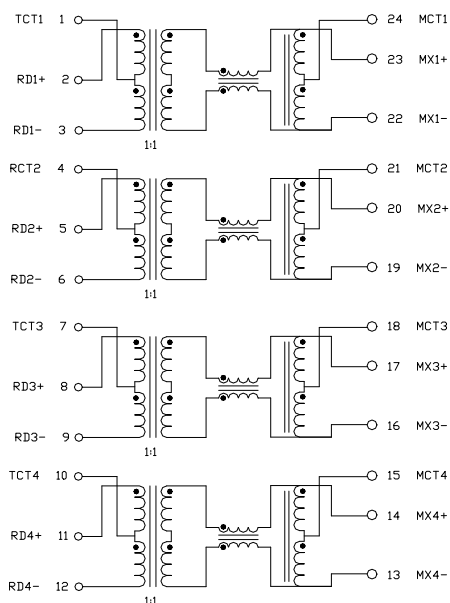
- 1) IEEE 802.3af/ANSI X3.263 compliant performance.
- 2) Including 350µH open circuit inductance with 8mA DC bias .
- 3) Designed for IP phone or switch applications.

FW-35008SD

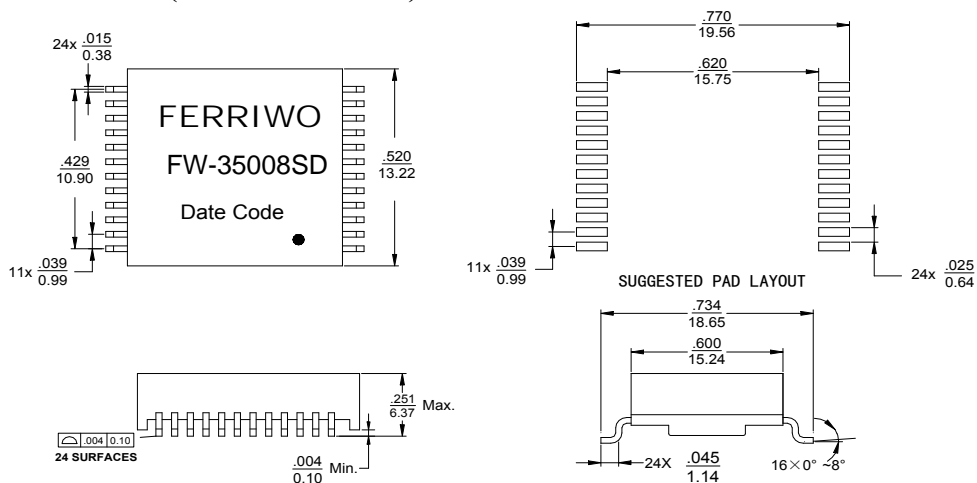
A) Electrical Specifications @ 25°C --- Operating temperature 0°C To 70°C .

Insertion Loss (dB Max)	Return Loss (dB Min. @ 100 ohm)					Differential to Common Mode Rejection (dB Min.)			Crosstalk (dB Min.)			Hi-Pot (Vrms)
	1~100MHz	1-30MHz	40MHz	50MHz	60-80MHz	100MHz	30MHz	60MHz	100MHz	30MHz	60MHz	
1.0	-18	-18	-16	-12	-10	-43	-35	-30	-43	-35	-30	1500V

B) Schematics



C) Mechanical Dimensions (Unit: inches / mm)



Unless otherwise specified, all tolerances are ±.010 / 0.25